

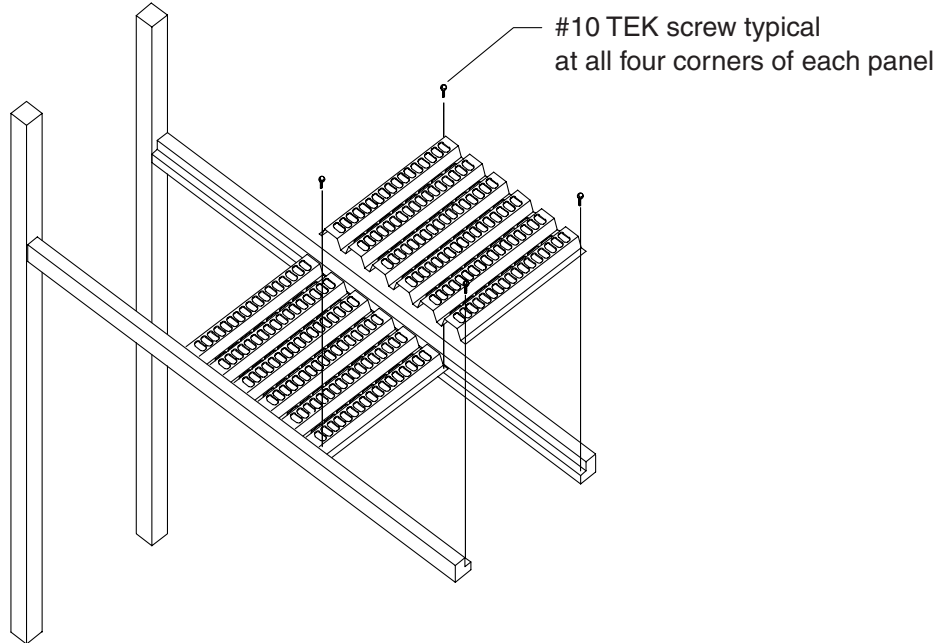
PUNCH DECK®

INSTALLATION RECOMMENDATIONS

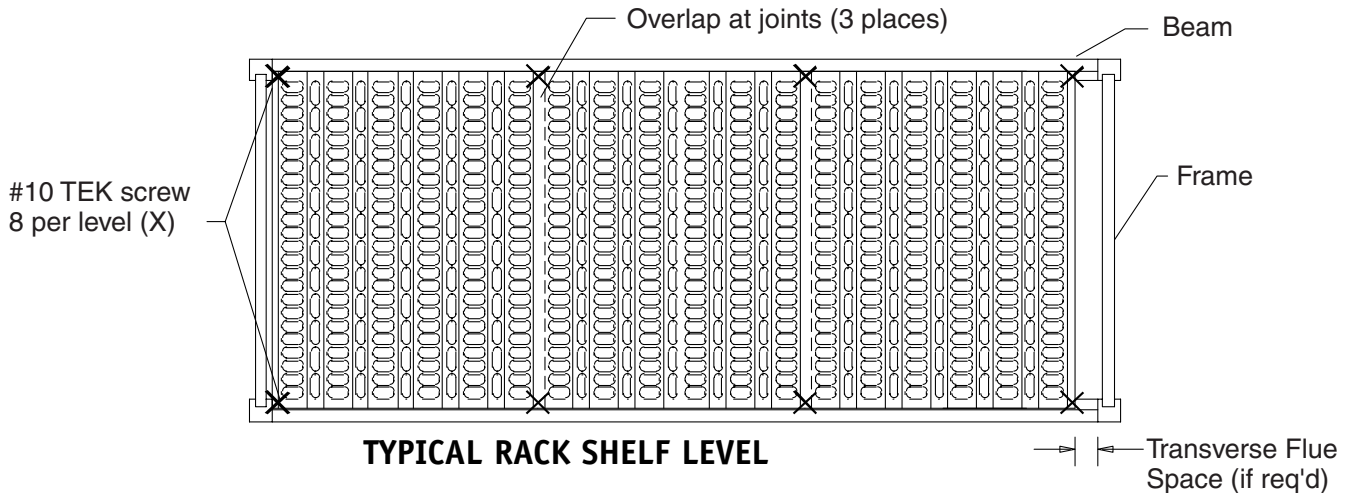
DACS, inc. recommends the following instruction for installation of Punch Deck. This installation procedure is based upon testing done by DACS, inc. and is intended to provide the end user of the rack system the strongest, most durable system possible.

All published Punch Deck load information is based upon these installation procedures.

If these installation instructions are not followed, DACS, inc. will not be held responsible for rack deck failures.



- Step 1** - Position end deck panel over channel and place into position.
- Step 2** - Position next panel so that the proper flue space is provided.
- Step 3** - When all deck panels on a shelf are positioned, place a #10 self tapping TEK screw into the four corners of each deck panel, overlapping the panel edges.



If you have any questions pertaining to these instructions, please contact DACS at
866-400-8107 or 757-393-0704

DACS inc.